

BRK®

THE PROFESSIONAL STANDARD

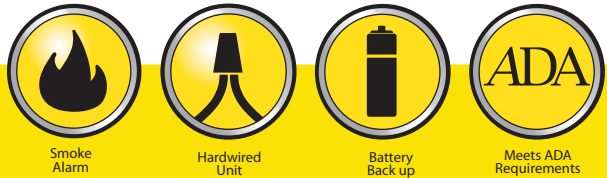
Smoke Alarm with Strobe Light for the hearing impaired

PHOTOELECTRIC TECHNOLOGY

CAT. 7010BSLA

120V AC/DC, 60 Hz

Wire-in with 3V (two 1.5V AAA) Battery Backup



Integrated Photoelectric Smoke Alarm and Strobe Light

One device includes both a photoelectric smoke alarm and a strobe light. Requires only one electrical box. Saves installation time.

Smart Strobe

Works with BRK smoke, heat and CO alarms. Separate flash patterns to distinguish between smoke/heat or CO danger.

177 Candela Xenon Light

Powerful 177 candela xenon strobe light provides effective visual warning to awaken hearing impaired residents.

1Hz Flash Rate

60 flashes per minute meets ADA, ANSI 117.1, NFPA 72 and UL 1971 requirements for visual signaling devices.

Battery Backup

Two AAA batteries provide backup for the smoke alarm during power outages. (Note: will not power the strobe light)

Meets ADA Requirements

Meets the requirements of the Americans with Disabilities Act (ADA)

Two Latching Features

Alarm Latch - Visually identifies initiating alarm even after alarm condition is over. Low Battery Latch - Visually identifies which unit is in low battery condition.

Two Silence Features

Temporarily silence low battery chirp for up to eight hours before replacing battery or silence an unwanted alarm for several minutes.

NOTE: Photoelectric technology is generally more sensitive at detecting large particles, which tend to be produced in greater amounts by smoldering fires.

NOTE: Ionization technology is generally more sensitive at detecting small fast moving particles, which are produced by "fast flaming" fires.

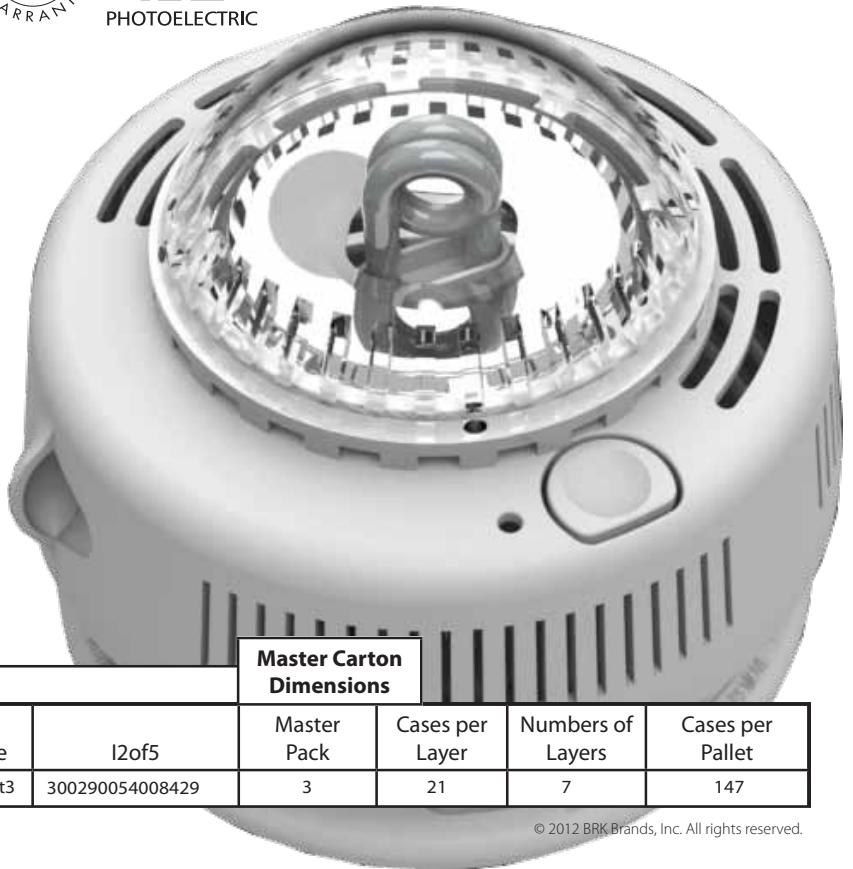
BRK Model 7010BSLA is an ADA hearing impaired strobe light specifically designed for residential and institutional applications including sleeping rooms of hospitals, hotels, motels, dormitories, and other multifamily dwellings as defined in standard NFPA 101.

BRK Model 7010BSLA is a state of the art Strobe Light designed to provide hearing impaired individuals with a visual warning of a fire or a carbon monoxide danger when used with smoke, heat or carbon monoxide alarms. The Smart Strobe has separate flash patterns to distinguish between smoke/heat and carbon monoxide dangers. These different patterns are to help a hearing impaired person better distinguish the danger present.

The 7010BSLA operates on 120V AC and features a green LED that signals the unit is receiving power. Interconnectable with up to 18 devices, of which 12 can be smoke alarms. Model 7010BSLA was designed with quick and easy installation in mind. Designed to cover most drywall cut-outs, the specially designed mounting bracket mounts on any electrical box up to 4" octagonal and does not require screw removal. Connection to AC power is made with a "Quick-Connect" wiring harness.



PHOTOELECTRIC



Individual Carton							Master Carton Dimensions			
UPC	H"	W"	D"	Weight	Cube	12of5	Master Pack	Cases per Layer	Numbers of Layers	Cases per Pallet
029054008428	5.25"	4.375"	5.25"	0.97 lb	0.07 ft3	300290054008429	3	21	7	147

CAT. 7010BSLA



Smoke Alarm



Hardwired Unit

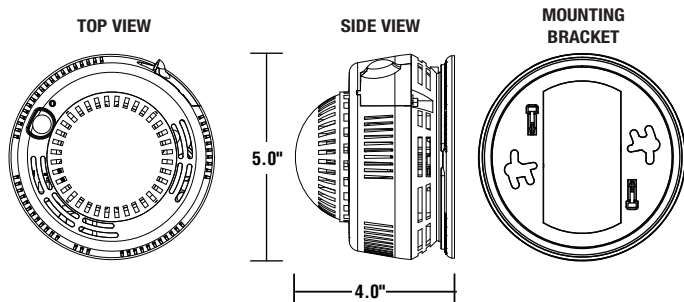


Battery Back up



Meets ADA Requirements

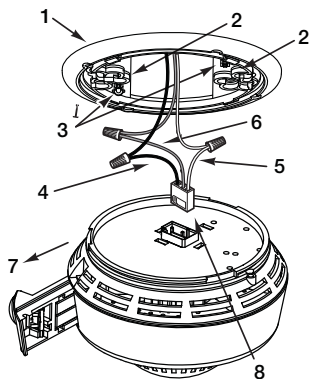
ARCHITECTURAL AND ENGINEERING SPECS:



The strobe light shall be a BRK Model SC7010BSLA and shall provide at a minimum the following features and functions:

1. A 177 candela Xenon strobe.
2. The strobe light shall be powered by 120V AC.
3. The Smart Strobe shall have separate flash patterns to distinguish between smoke/heat and carbon monoxide dangers.
4. A visual LED (green) power-on indicator to confirm the unit is receiving AC power.
5. The unit shall be capable of operating between 40°F and 100°F (4-38°C) and relative humidity of 10% and 90%.
6. The unit shall mount to any standard electrical box up to 4" octagonal without screw removal and shall be listed for ceiling or wall mounting.
7. The unit shall have a plug-in connector and be capable of interconnection up to 18 multiple station alarms per NFPA 72.
8. The unit shall at a minimum meet the requirements of UL1971, ADA, ANSI 117.1, CSFM, NFPA 72, NFPA 101 and the ICC.

THE PARTS OF THIS SMOKE ALARM



1. Mounting bracket
2. Mounting Slots
3. Locking Pins
4. Hot (Black) AC Wire
5. Neutral (White) AC Wire
6. Interconnect (Orange) Wire
7. Pull-out Battery Drawer
8. Quick-Connect Plug

TECHNICAL SPECS:

Alarm Dimensions:	5.0" dia x 4.0"H
Weight:	10.9 oz
Operating Voltage:	120V AC 60Hz, two AAA battery backup
Operating Current:	.04/1.0 amp (standby/alarm)
Temperature Range:	40°F (4°C) to 100°F (38°C)
Humidity Range:	10% to 95% relative humidity (RH)
Audio Alarm:	85dB at 10 feet
Visual Alarm:	177 candela Xenon strobe
Flash Rate:	1 Hz
Smoke Alarm:	Constant approximately 1 flash per second
CO Alarm:	If Alarm is interconnected to BRK CO alarm or combo Co alarm the intermittent approximately 1 flash per second for four seconds
Alarm Reset:	Automatic when smoke and/or CO clears Press test/ silence button to silence manually
Interconnections:	Up to 18 units of First Alert or BRK Smoke, CO and Heat Alarms. Maximum of 12 smoke alarms. See user's manual for details.
Smoke Sensor:	Photoelectric
Indicator Lights/Sounds:	
AC Power:	Constant Green LED
Local Alarm:	Audio alarm, steadily flashing strobe and rapidly flashing Red LED
Remote Alarm:	Audio alarm, steady flashing strobe and Red LED off
Latching Alarm Indicator:	Audio off and corresponding Red lights flashing 2 seconds on 2 seconds off after local alarm unless reset by test/silence button.
Low Battery Latch:	"Green/Power" LED flashes green on for 2 seconds/off for 2 seconds.
Listing:	ULC5531

SHIPPING SPECS:

Individual Carton	
Dimensions:	5.25" H x 4.375" W x 5.25" D
Weight:	0.97 lb
Cube:	0.07 ft ³
UPC:	029054008428
Master Carton	
Master Pack:	13.68" L x 5.68 W" x 6.12" H
Weight:	3.07 lb
Cube:	0.2759 ft ³
12of5:	300290054008429
Pallet Information:	
Cases per layer:	21
Number of Layers:	7
Cases per Pallet:	147
Cube:	45.29 ft ³
Weight:	516.29 lb



©2012 BRK/First Alert
Dicon Global Inc.

88B East Beaver Creek Unit 6
Richmond Hill, Ontario L4B 4W2
Customer Service: 1-800-387-4219

All rights reserved

First Alert is a registered trademark of the First Alert Trust
BRK is a registered trademark of BRK Brands, Inc.

brkelectronics.com